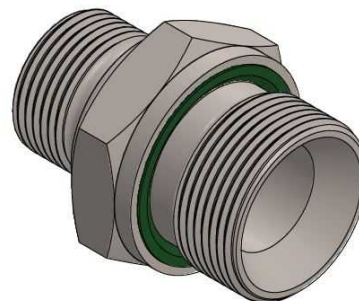
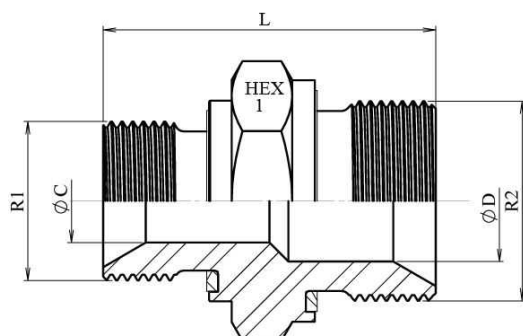


Adaptadores BSP

Uniones rectas macho

Reductor macho - macho BSP cono 60° con junta encastrada

Acero Inoxidable AISI 316-L



Artículo	R1	R2	L	HEX 1	ØC	ØD
Z10200406WD	1/4" BSP	3/8" BSP	22	22	6	8
Z10200408WD	1/4" BSP	1/2" BSP	38	27	6	11
Z10200608WD	3/8" BSP	1/2" BSP	39	27	8	11
Z10200812WD	1/2" BSP	3/4" BSP	44	32	11	16
Z10201216WD	3/4" BSP	1" BSP	50	41	16	22